

ENCLOSURE

Anti-static, glass reinforced polyester, black

CLASSIFICATIONS

IP67

TEMPERATURE RANGE

-40° to 80°C

HARDWARE

Captive, stainless steel cover fasteners

CP Option: (EXCJB21CP-M25)

EARTHING PLATE

Copper, 1x6m internal/external ground stud

Description:

Nelson's EXCJB21-M25 Series Carbon Loaded Glass Reinforced Polyester enclosure is suitable for use in Zone 1 and Zone 2 hazardous areas, offering protection to IP67. Designed for use as a power connection, powered

splice or standard splice, the EXCJB21 can be either pipe or wall mounted. Entry pattern: (1) M25 threaded opening on side and (2) M25 threaded openings on bottom with (1) blanking plug. Factory installed increased safety "e" terminals,

(2) power and (1) ground to cover standard connection configurations. Connection kits, insulation entry kits and mounting brackets are ordered separately.

Specifications:

Protection	IP67
Dimensions	122 mm x 120 mm x 90 mm
Entries	3 x M25, 1 x M25 blanking plugs
Minimum ambient temperature	-40°C
Terminals	Klemsan AVK 6 Series
	2 Ex terminal block, 1 Ex ground terminal block
Maximum conductor size	10 mm ² solid, 6mm ² stranded
Maximum operating voltage	630 VAC
Maximum current rating	41 A

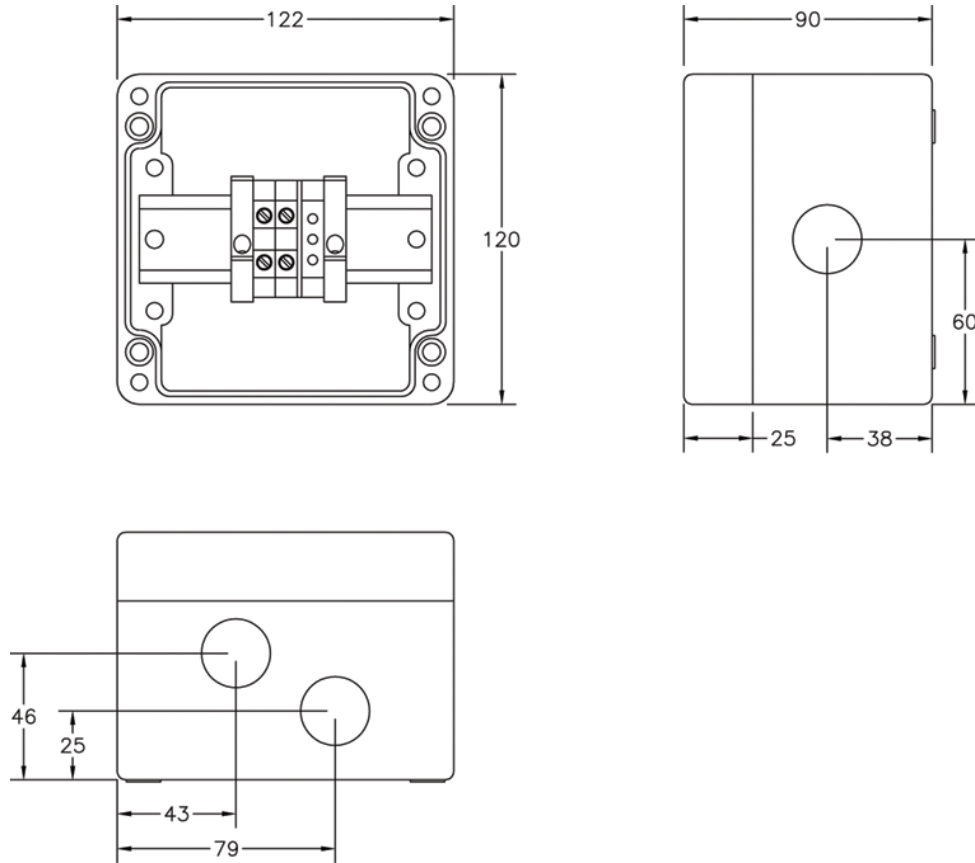
Approvals:

II 2 G D EEx e II T6

Sira 99ATEX3173



Outline



Accessories:

- | | |
|-------------------------------|----------------|
| Heating cable connection kits | GHK-M25 |
| Insulation entry kits | LPK-LM, LPK-PM |
| Heater cable gland | GH-M25 |
| Power cable gland | GP-M25 |
| Support brackets | BRK-V, BRK-H |

Nelson Heat Tracing Systems products are supplied with a limited warranty. Complete Terms and Conditions may be found on Nelson's website at www.nelsonheaters.com.